

STANDARD RECOVERY DIODE (Stud Version) | 普通整流二极管(螺旋式)

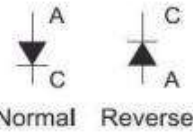
Features

- High surge current capability
- Stud cathode and stud anode version
- Wide current range
- Metric device version available

Typical Applications

- Battery charges
- Converters
- Power supplies
- Machine tool controls
- Welder
- Motor controls

Polarity



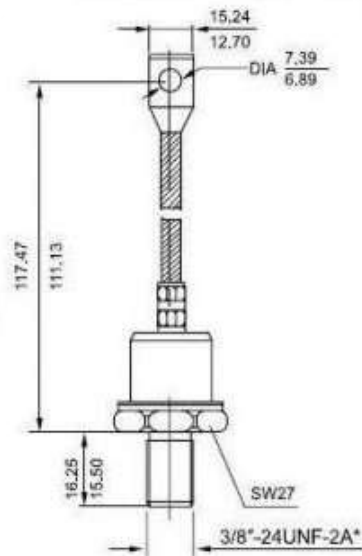
Ordering Information Table

Device Code	FR	100	U	R	120	M	L
	①	②	③	④	⑤	⑥	⑦
1	-None=Standard recovery diodes; FR=Fast recovery diodes						
2	-Current code=IF(AV)						
3	-Outline code: F=DO-4 case 6A~25A; HF=DO-5 case 30A~85A U=DO-8,DO-9 case 100A~300A						
4	-None=Stud Normal Polarity (cathode to stud) R=Stud Reverse Polarity (anode to stud)						
5	-Voltage code=code x 10=VRRM						
6	-None=Standard inch Device; M=Metric Device						
7	-Bigger size						

ELECTRICAL CHARACTERISTICS

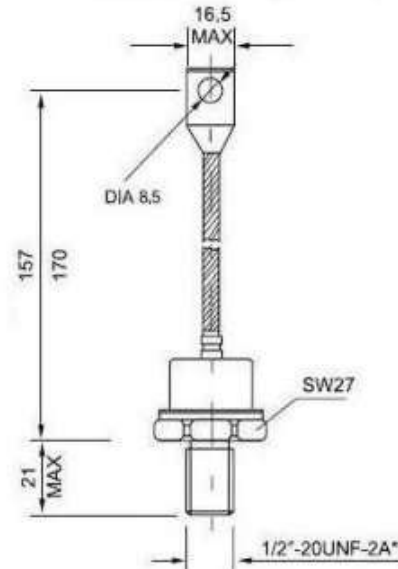
Symbol	Parameter	Conditions	100U(R)	150U(R)	100U(R).L	150U(R).L	Unit
IF(AV)	Average on-state current	THS=55°C	100	150	100	150	A
IF(RMS)	RMS on-state current	THS=55°C	160	240	160	240	A
VRRM	Repetitive peak reverse voltage	THS=140°C	400-2000		400-2000		V
VDRM	Repetitive peak reverse voltage	THS=140°C	400-2000		400-2000		V
IRRM	Repetitive peak reverse current	THS=140°C	12	15	12	15	mA
VFM	On-state voltage	THS=140°C	1.6	1.5	1.6	1.5	V
IFM	On-state Current	THS=140°C	300	450	300	450	A
Rj-c	Peak gate forward voltage		≤0.35	≤0.30	≤0.30	≤0.28	°C/W
Tj	Junction temperature		-40~+150				°C
Tstg	Storage temperature		-40~+125				°C
MT	Mounting torque		≤12.0				N·m
Wt	Weight	Typical value	120	120	150	150	g

Outline table
(Dimension in mm)



For metric device: M12X1.75

DO-8



*FOR METRIC DEVICE: M12×1.75

DO-30