

REVISION RECORD

REV	ECN	DESCRIPTION	DRFT	DATE
-----	-----	-------------	------	------

NOTES1:

UL Standard

1. Rated voltage/current : 300V / 15A
2. Withstanding voltage : AC1600V/1Min.

IEC Standard

1.

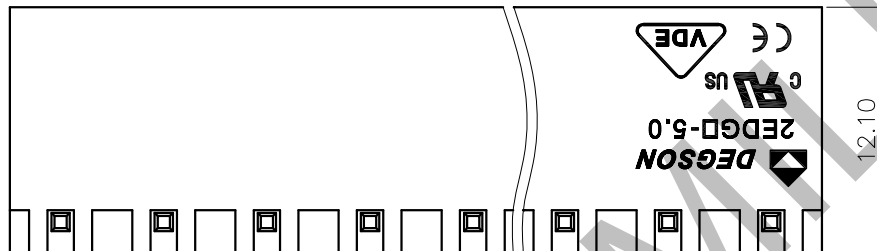
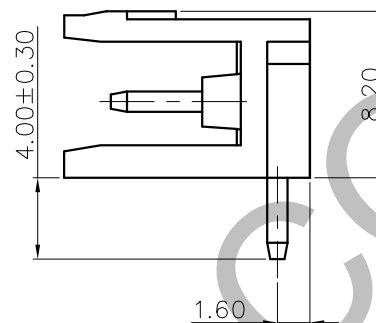
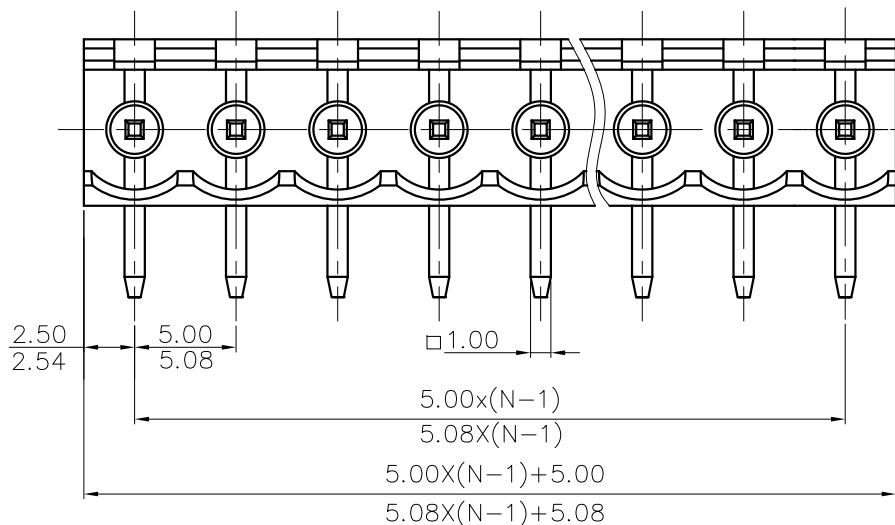
Pollution degree	2
Overtoltage category	III
Rate impulse voltage(KV)	4.0KV
Rate voltage(V)	320V
Rate current(A)	20A

NOTES2:

1. Dimension shall be interpreted per ASME Y14.5-2009
2. Pitch : 5.00/5.08mm, Poles : N=2~24P
4. Operating temperature: -40°C~+105°C
5. Undimensioned tolerances:

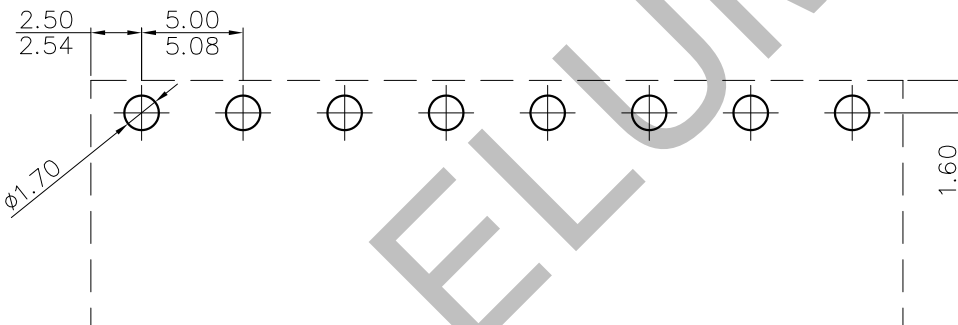
Pitch range in mm		Nominal dimension range in mm						—	∩	∇
To	Over	Over	To	Over	Over	Over	150	0.1/10		
6	10	10	24	30	60	100	150			
±0.15	±0.20	±0.30	±0.30	±0.50	±0.70	±1.00	±1.30		±2'	

6. RoHS Compliance



2EDGR - 5.0/5.08 - XXP - 1Y - 00A (H)
 (Series No.) (Pitch) (Poles) (Single Pitch) (Color) (RoHS)
 00A-(Standard)

1. (Grey)
2. (Blue)
3. (Black)
4. (Green)
5. (Orange)
6. (Red)
7. (Transparent)
8. (Yellow)
9. (White)



PCB LAYOUT

DETACHED LISTS	PART NO.:	NINGBO DEGSON ELECTRICAL CO., LTD			
	APPD:	NAME: 2EDGR-5.0/5.08-XXP-1Y-00A(H)			
	CHKD:	TITLE: CUSTOMER DRAWING		REV	DO
	DRFT:	DRAWING NO.:		SHEET	1/1
THIRD ANGLE PROJECTION		MM (INCH)	DO NOT SCALE DRAWING	SCALE	1:1