

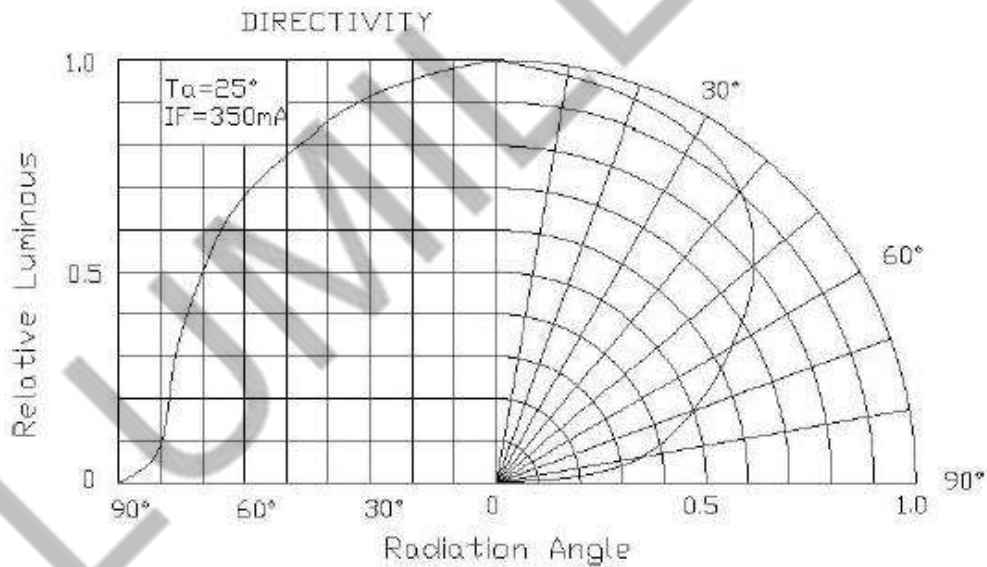
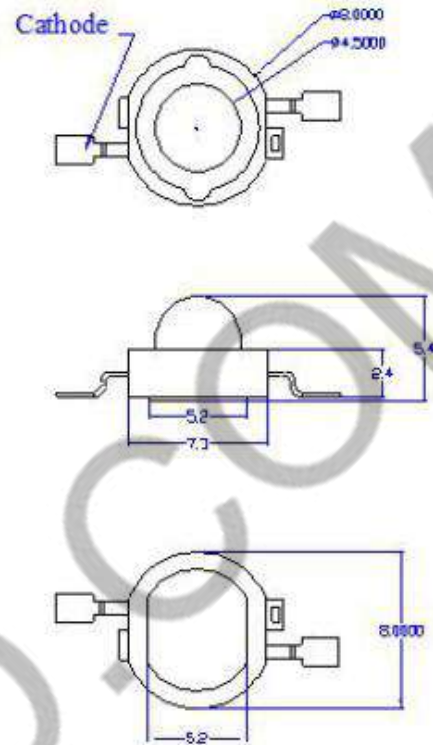
Product Model: 5W-CHIP-IR940

Features:

- High reliability and Very long operating life (up to 100K hours)
- Low voltage DC operated
- Superior ESD protection

Typical Applications:

- Dice material: AlGaAs
- Emitting Color: Infrared Emitting diodes
- Device Outline: high power diodes
- Lens Type: Water Clear



Absolute maximum ratings (Ta = 25°C)

Parameter	Symbol	Test Condition	Value		Unit
			Min.	Max.	
DC Forward Current	I_F	---	---	1400	mA
Peak Pulse Current	I_{peak}	Duty=0.1, 1kHz	---	2000	mA
Power Dissipation	P_d	---	---	5	W
Reverse Voltage	V_R	---	5	---	V
LED Junction Temperature	T_j	---	---	120	°C
Operating Temperature	T_{opr}	---	-25	+100	°C
Storage Temperature	T_{str}	---	-40	+120	°C
ESD Sensitivity	---	HBM	8000	---	V
Soldering Temperature	---	---	260°C for 5 Seconds max		

Electrical and optical characteristics (Ta = 25°C)

Parameter	Symbol	Test Condition	Value			Unit
			Min.	Typ.	Max.	
Forward Voltage	V_F	$I_F = 1400\text{mA}$	1.8	---	2.4	V
Dominant Wavelength	λ_d	$I_F = 1400\text{mA}$	---	940	---	nm
Reverse current	I_R	$V_R = 5\text{V}$	---	---	20	uA
Luminous Intensity	I_e	$I_F = 1400\text{mA}$	400	---	600	mW/Sr
Viewing Angle	$2\theta_{1/2}$	$I_F = 1400\text{mA}$	---	120	---	deg.