

THERMOSTAT



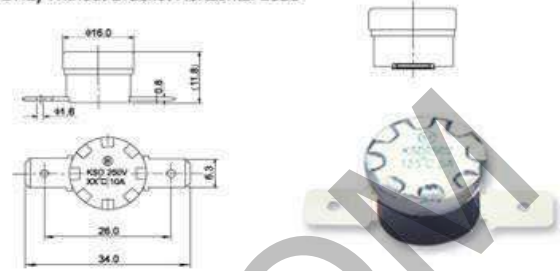
温度保护器 THERMOSTAT



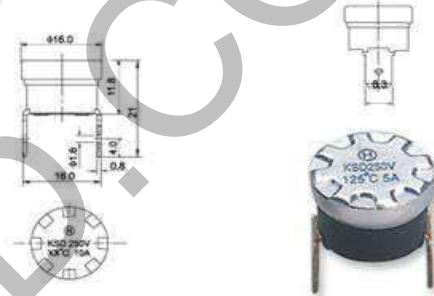
额定动作温度 Rated Functioning Temp. Tf(°C)	恢复温度 Reset Temp. Ton(°C)	额定电压 Voltage AC(V)	额定电流 Current I _r (A)	安全认证 SAFETY APPROVALS	
				CQC	VDE
48 ± 3	35 ± 8	250	5.10	●	
55 ± 3	40 ± 8	250	5.10	●	
58 ± 3	42 ± 8	250	5.10	●	
60 ± 3	45 ± 5	250	5.10	●	
65 ± 3	48 ± 5	250	5.10	●	
70 ± 3	55 ± 5	250	5.10	●	○
75 ± 3	55 ± 7	250	5.10	●	○
80 ± 3	60 ± 7	250	5.10	●	○
85 ± 3	65 ± 7	250	5.10	●	○
90 ± 3	70 ± 10	250	5.10	●	○
95 ± 3	70 ± 10	250	5.10	●	○
100 ± 3	70 ± 10	250	5.10	●	○
105 ± 3	80 ± 10	250	5.10	●	○
110 ± 3	85 ± 10	250	5.10	●	○
115 ± 5	85 ± 15	250	5.10	●	○
120 ± 5	90 ± 15	250	5.10	●	○
125 ± 5	95 ± 10	250	5.10	●	○
130 ± 5	95 ± 10	250	5.10	●	○
135 ± 5	100 ± 10	250	5.10	●	○
140 ± 5	110 ± 10	250	5.10	●	○
145 ± 5	110 ± 10	250	5.10	●	○
150 ± 7	120 ± 10	250	5.10	●	○
155 ± 7	120 ± 10	250	5.10	●	○
160 ± 10	130 ± 15	250	5.10	●	○
165 ± 10	130 ± 15	250	5.10	●	○
170 ± 10	130 ± 15	250	5.10	●	○
175 ± 10	140 ± 15	250	5.10	●	○
180 ± 10	140 ± 15	250	5.10	●	○
185 ± 10	140 ± 15	250	5.10	●	○

● DENOTES FOR APPROVED (●表示已取得认证)
○ DENOTES FOR PENDING (○表示申请中)

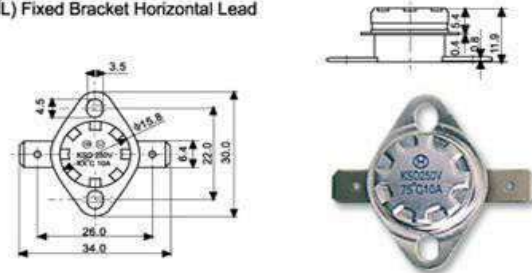
(W/O BHL) Without Bracket Horizontal Lead



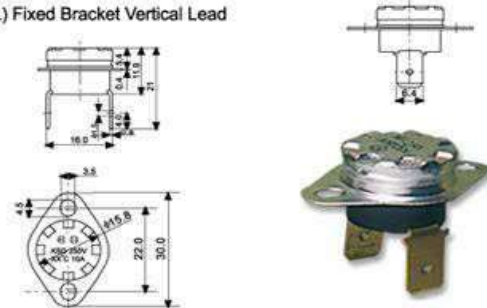
(W/O BVL) Without Bracket Vertical Lead



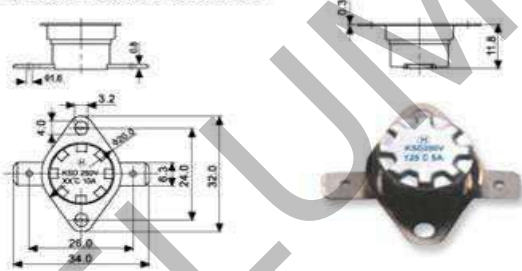
(FBHL) Fixed Bracket Horizontal Lead



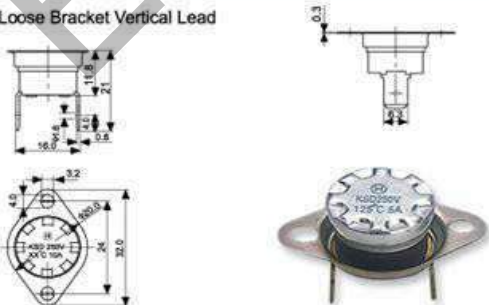
(FBVL) Fixed Bracket Vertical Lead



(LBHL) Loose Bracket Horizontal Lead



(LBVL) Loose Bracket Vertical Lead



单位Unit:mm

APPLICATION FOR:

Auto-drip Coffee Maker, Water Heater, Sandwich Toaster, Microwave Oven, Washer, Electric Rice Cooker, Clothes Dryer, Electric Heater, Office Appliance, Refrigerator, Heater for Car Seats, etc.