

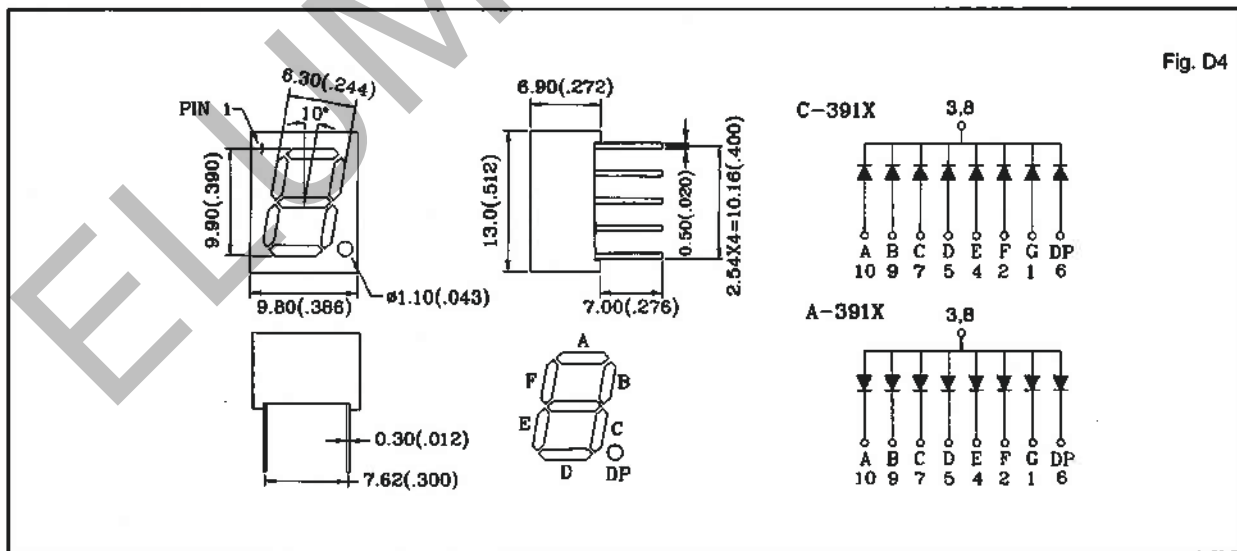
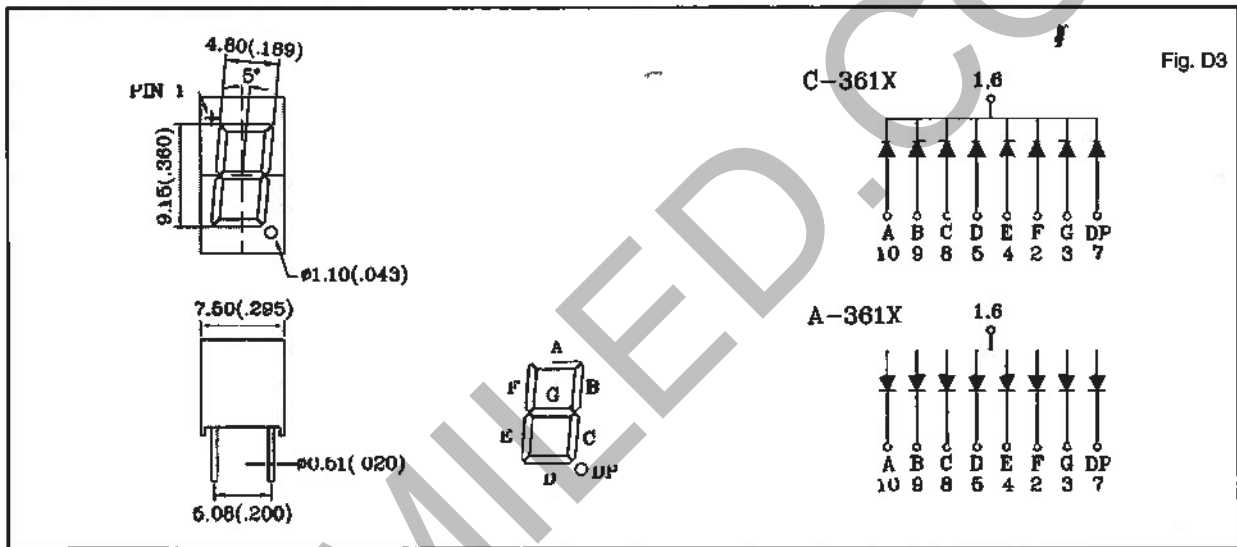


C/A-361X, C/A-391X SINGLE DIGIT DISPLAY

Shape	Part No.		Chip		Wave Length λ_p (nm)	Electro-Optical Characteristics			Fig.No.
	Common Cathode	Common Anode	Raw Material	Emitted Color		Vf(V)20mA		Iv(ucd)10mA	
						Typ.	Max.	Typ.	
	C-361H	A-361H	GaP	Red	700	2.3	2.8	550	D3
	C-361E	A-361E	GaAsP/GaP	Hi.effi Red	635	2.1	2.8	1800	
	C-361G	A-361G	GaP	Green	565	2.2	2.8	1800	
	C-361Y	A-361Y	GaAsP/GaP	Yellow	585	2.1	2.8	1500	
	C-361SR	A-361SR	GaAlAs	Super Red	660	1.8	2.2	5000	
	C-391H	A-391H	GaP	Red	700	2.3	2.8	550	D4
	C-391E	A-391E	GaAsP/GaP	Hi.effi Red	635	2.1	2.8	1800	
	C-391G	A-391G	GaP	Green	565	2.1	2.8	1600	
	C-391Y	A-391Y	GaAsP/GaP	Yellow	585	2.1	2.8	1500	
	C-391SR	A-391SR	GaAlAs	Super Red	660	1.8	2.2	8000	



1.All dimension are in millimeters (inches).
2.Tolerance is ± 0.25 mm (0.01") unless otherwise specified.