

SOLID STATE RELAY | 固态继电器

Features

- Current: 0.5A-400A
- Voltage: 12V-680V
- Small General outline Vacuum Weld Technics
- Make R/C(MOV) inside could absorb out ITSM
- Led indicator showing "ON" or "OFF"
- Clarity protect Panel
- IEC standard
- Input & output type could chose
- DC/AC AC/AC AC/DC DC/AC/DC

Typical Applications

- AC DC switch & Temp control
- Automate Control
- Numerical Control Machinery

Ordering Information Table

Device Code **SSR - D 48 40 R 1**

① ② ③ ④ ⑤ ⑥

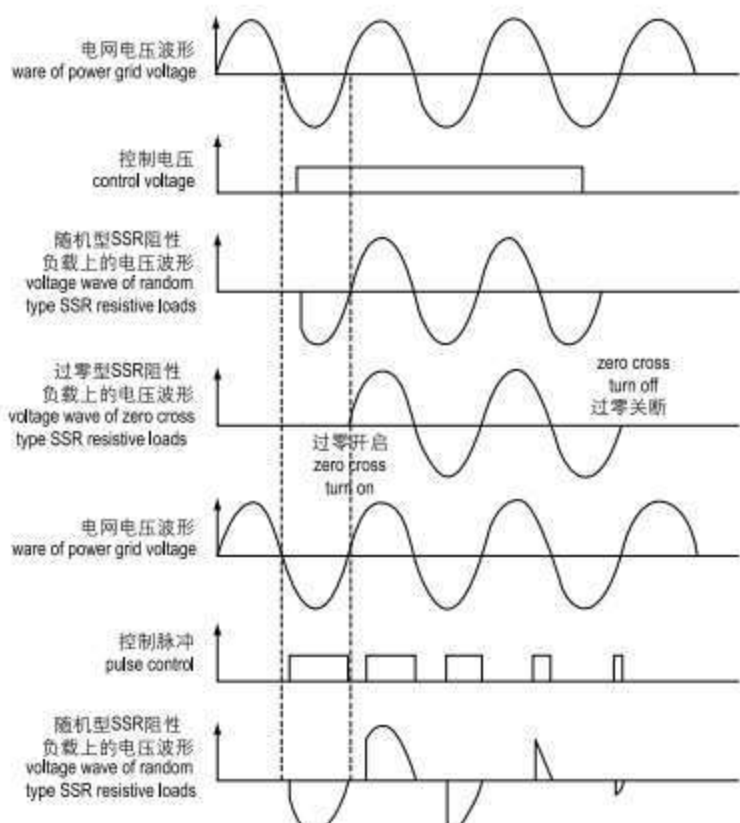
- 1 -ZENLI Solid state relay
- 2 -D=DC to AC (DC3-32V)
A=AC to AC V=Voltage regulator
HD=Industry standard DC/AC 3P=3-phase DC/AC
- 3 -Rated operational voltage, code × 10(48 × 10=480V)
- 4 -Rated operational current
- 5 -None=Zero cross trigger
R=Random switch
- 6 -Outline: None=crydom type, black cover
1=FOTEK type, white cover 2=OMRON type, grey cover

Introduction

Solid State Relay(SSR) is industrial control appliances which use power semiconductor devices for main control part, compare with traditional magnetic contact industrial controllers, it is more high-powered, intelligent, digital, systematic and green development.

according switch mode SSR have zero-cross and random type. When the input control signal, random type conduction immediately, zero cross type need load voltage turn to zero region just can conduction. Revocation of the control signal,all can cut off when less than maintenance current. zero cross type may cause the maximum half-cycle delay, but reduces the impact of the load and radiofrequency interference, is the ideal switching devices. Random type fast response,suitable for dimmer,thermostats resistive loads and some inductive load applications.

When the SSR turn off, if in the phase current and voltage have different, will have a large rise rate (dv/dt) on the triac, such as dv/dt higher than Triac standatrd (300V/us), will result in delay shutdown even failure. use anti-parallel thyristor's SSR(powerful type) will be greatly improved at dv/dt(dv / dt is 500V/us). Therefore, in the field of capacitive load or inductive load, suggest the use powerful type SSR. Zenli's SSR >40A, all use powerful type.



SSR-D Series Solid State Relay (DC-AC) 直流控制交流系列固态继电器SSR-D

Rated load current	Operating voltage	Min. ON voltage	Min. OFF voltage	Open current	Load voltage	dv/dt	Voltage drop	Peak current	Leakage current	Turn-on time	Turn-off time	Insulation voltage	Tj	Outline
A	V	V	V	12V	V	V/μs	V	A	mA	ms	ms	V	°C	
10	3-32	>2.4	<1.0	6.25	300	≤1.5	2.0	135	3.0	10	10	2500	-30°C ~ +80°C	SSR1/2
25	3-32	>2.4	<1.0	6.25	300	≤1.5	2.0	275	3.0	10	10	2500		
40	3-32	>2.4	<1.0	6.25	300	≤1.5	2.0	410	3.0	10	10	2500		
60	3-32	>2.4	<1.0	6.25	500	≤1.5	2.0	635	3.0	10	10	2500		
80	3-32	>2.4	<1.0	6.25	500	≤1.5	2.0	850	3.0	10	10	2500		
100	3-32	>2.4	<1.0	6.25	500	≤1.5	2.0	990	3.0	10	10	2500		

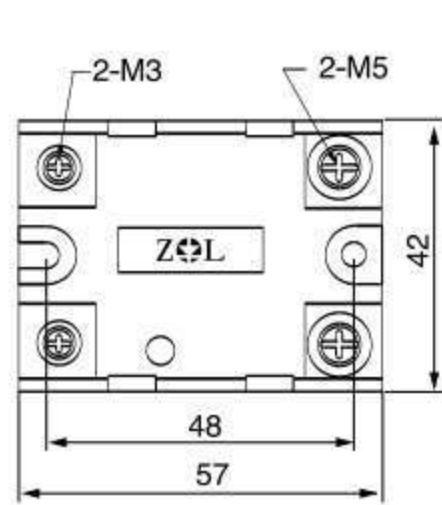
SSR-A Series Solid State Relay (AC to AC) 交流控制交流系列固态继电器SSR-A

Rated Load current	Operating voltage	Min.on voltage	Min.off voltage	Triggrrt current	Load voltage	Block voltage	Voltage drop	Peak current	Leakage current	Turn-on time	Turn-off time	Insulation voltage	Tj	Outline
A	V	V	V	mA	V	V	V	A	mA	ms	ms	V	°C	
10	90-280	>50	<45	8.0(<110V)	24-240	600	2.0	135	3.0	20	20	2500	-30°C ~ +80°C	SSR1/2
25	90-280	>50	<45	8.0(<110V)	24-240	600	2.0	275	3.0	20	20	2500		
40	90-280	>50	<45	8.0(<110V)	24-240	600	2.0	410	3.0	20	20	2500		
60	90-280	>50	<45	8.0(<110V)	24-240	600	2.0	635	3.0	20	20	2500		
80	90-280	>50	<45	8.0(<110V)	24-240	600	2.0	850	3.0	20	20	2500		
100	90-280	>50	<45	8.0(<110V)	24-240	600	2.0	990	3.0	20	20	2500		

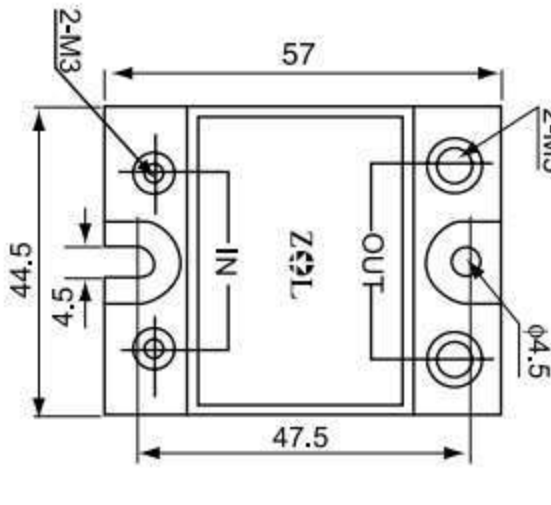
SSR-V Series Solid State Voltage Regulator 固态调压器SSR-V

Rated Load current	Variable resistance	Operating voltage	Block voltage	Voltage drop	Peak current	Leakage current	Dielectric strength	Peak current	Insulation strength	Tj	Outline
A	KΩ	V	V	V	A	mA	V	A	MΩ/VDC	°C	
10	0-470	24-380	600	2.0	135	5.0	2500	135	50/500	-30°C ~ +80°C	SSR1/2
25	0-470	24-380	600	2.0	275	5.0	2500	275	50/500		
40	0-470	24-380	600	2.0	410	5.0	2500	410	50/500		
10	0-560	24-380	600	2.0	135	5.0	2500	135	50/500		
25	0-560	24-380	600	2.0	275	5.0	2500	275	50/500		
40	0-560	24-380	600	2.0	410	5.0	2500	410	50/500		

Solid State Relay Outline 固态继电器外形图

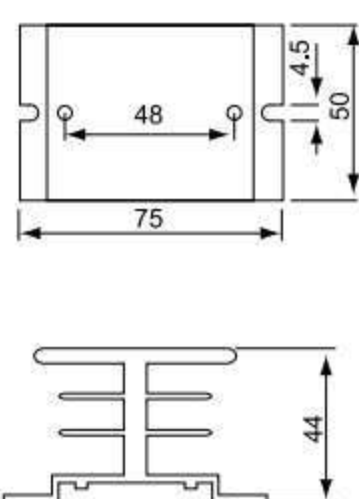


SSR-1

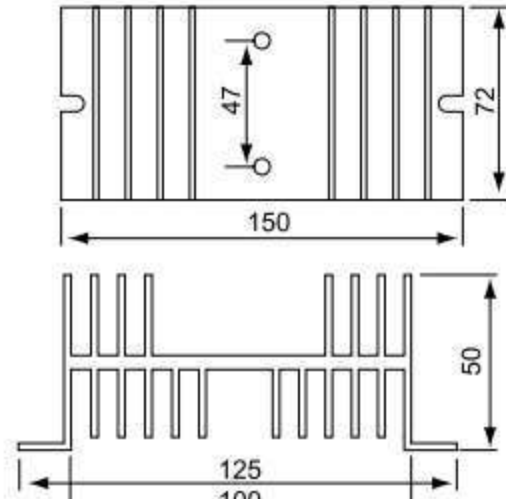


SSR-2

Solid State Relay Heatsink 固态继电器用散热器



ZLXC-SSR1(10-60A)



ZLXC-SSR2(40-120A)