

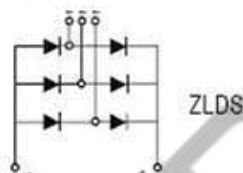
Welder bridge rectifier series products are exhibit ITALY's technique, use in CO₂ welding machine 's bridge rectifier. That also is replace stud type & module type 's 3rd bridge rectifier. We had make standing order with many welding machine factory from China, Europe, South-east Asia. We have receive many approbat because of our good quality,price & perfect service.

Features

- Current:100A-600A; V_{RRM} 400V
- Low cost
- Low forward voltage drop
- High current capability & conductive package
- Vacuum thydrogen gas filled protection solder technology
- Device with hentsink & over-voltage protection

Typical Applications

- Co₂ gas filled protection weld machine
- DC power supplies
- Rectificate circuit
- Import Italy technology
- New design,replace stud & module version



Ordering Information Table

Device Code	ZL	D	S	400A
	①	②	③	④
1	-ZENLI Bridge rectifrer			
2	-D=Diode bridge T=Thyristor bridge F=Diode-thyristor bridge			
3	-S=3-phase bridge rectrifier Q=single-phase bridge rectifier			
4	-Id value=DC out current			

Note: For high VRRM value contact ZENLI



DS-1

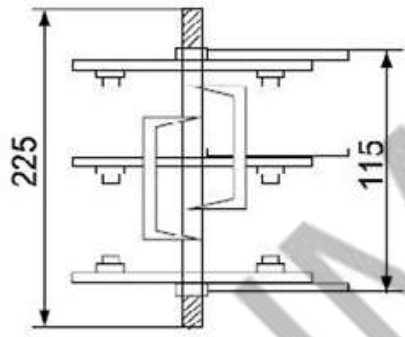
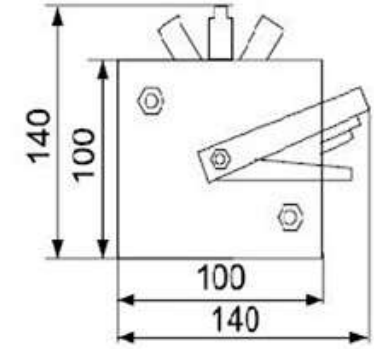


DS-2

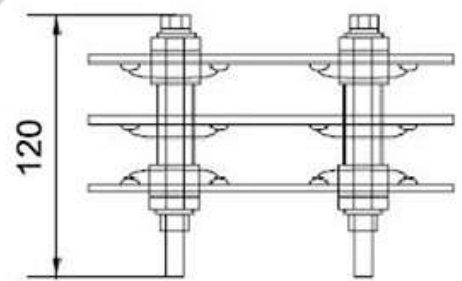
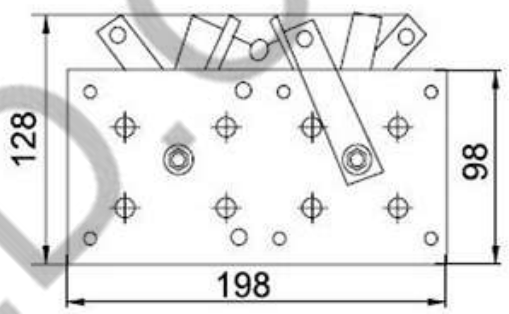
Three-phase Bridge Diode Rectifier 三相整流桥(焊机等级)

Type	I _d (A)	V _{RRM} (V)	I _{RRM} (mA)	V _{FM} (V)	I _{FM} (A)	Temperature rise(°C)	Fix power (N.M)	Duty cycle (A)	Wind speed (M/S)	Weight (g)	Outline
ZLDS100A	100	≤400	≤3.5	≤1.3	30	≤55	≥12.5	60	3.0	600/900	DS-1 DS-2
ZLDS150A	150	≤400	≤4.0	≤1.3	50	≤60	≥12.5	90	3.0	950	DS-2
ZLDS200A	200	≤400	≤5.5	≤1.35	70	≤60	≥12.5	120	3.0	1000	DS-2
ZLDS250A	250	≤400	≤6.0	≤1.35	80	≤65	≥12.5	150	3.0	1000	DS-2

Three-phase Bridge Rectifier Outline 三相整流桥外型



DS-1



DS-2