

## Features

- Diffused junction
- Low leakage
- Low cost
- High surge current capability

## Mechanical Data

- Case & terminal:red copper
- Terminal:easy for soldering
- Polarity:standard cathode to case red color  
Reverse Anode to case black color

## Ordering information Table

Device Code **ZQ - 35 06 R A**

① ② ③ ④ ⑤

**1** -ZQ=ZENLI standard recovery press-fit diode

ZA=ZENLI Avalanche press-fit diode

ZS=ZENLI Schottky press-fit diode

**2** -Average rectified output current

**3** -Voltage code=code x 100=VRRM

**4** -Polarity: None=Standard, Cathode to case, red color

R=Reverse, Anode to case, black or green color

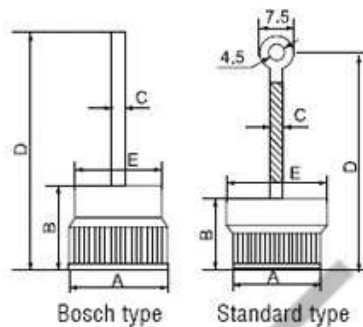
**5** -Outline number: None=Bosch type

A=Old standard, soft wire type

B, C, D, E, F, G, H are all un-standard case

## Outline Dimension List

Bosch type		DIM	Standard type	
Min	Max		Min	Max
12.90	13.06	A	12.90	13.06
7.70	8.10	B	8.60	9.00
1.25	1.31	C	1.80	2.20
29.10	31.10	D	54.00	56.00
11.10	11.50	E	16.10	16.50



ZQ

ZQ-A

## Maximum Ratings and Electrical Characteristics @TA=25°C unless otherwise specified

Single phase, half wave, 60Hz, resistive or inductive load. For capacitive load, derate current by 20%.

Characteristic	Symbol	ZQ10A	ZQ15A	ZQ25A	ZQ35A	ZQ50A	Unit
Peak repetitive reverse voltage	$V_{RRM}$						V
Working peak reverse voltage				50-600			V
DC blocking voltage	VDC						V
RMS reverse voltage	$V_R(RMS)$			$0.7 \times V_{RRM}$			V
Average rectified output current @TA=150°C	$I_{F(AV)}$	10	15	25	35	50	A
Non-repetitive peak forward surge current 8.3ms single half sine-wave superimposed on rated load (JEDEC method)	IFSM	200	300	400	400	500	A
Forward voltage @IF=80A	VFM	1.0	1.0	1.05	1.08	1.1	V
Peak reverse current @TA=25°C		5.0	5.0	5.0	5.0	5.0	μA
At rated DC blocking voltage @TA=100°C	IRM	250	250	250	250	250	μA
Typical junction capacitance (Note 1)	Cj			300			pF
Typical thermal resistance junction to case (Note 2)	$R_{\theta JC}$			1.0			K/W
Operating and storage temperature range	TJ, TSTG			-65 to +175			°C

## Other off-standard size

