

Press-fit Diode Series

Press-fit Diode Series

Features

- Diffused junction
- Low leakage
- Low cost
- High surge current capability

Mechanical Data

- Case & terminal:red copper
- Terminal:easy for soldering
- Polarity:standard cathode to case red color
Reverse Anode to case black color

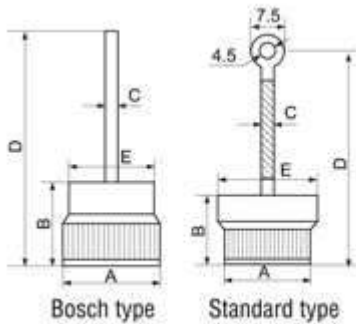
Ordering information Table

Device Code	ZQ	-	35	06	R	A
	①		②	③	④	⑤
1	-ZQ=ZENLI standard recovery press-fit diode ZA=ZENLI Avalanche press-fit diode ZS=ZENLI Schottky press-fit diode					
2	-Average rectified output current					
3	-Voltage code=code x 100=VRRM					
4	-Polarity: None=Standard, Cathode to case, red color R=Reverse, Anode to case, black or green color					
5	-Outline number: None=Bosch type A=Old standard, soft wire type B, C, D, E, F, G, H are all un-standard case					

Different size all could custom-design.

Outline Dimension List

Bosch type		DIM	Standard type	
Min	Max		Min	Max
12.90	13.06	A	12.90	13.06
7.70	8.10	B	8.60	9.00
1.25	1.31	C	1.80	2.20
29.10	31.10	D	54.00	56.00
11.10	11.50	E	16.10	16.50



Maximum Ratings and Electrical Characteristics @T^A=25°C unless otherwise specified

Single phase, half wave,60Hz,resistive or inductive load. For capacitive load, derate current by 20%.

Characteristic	Symbol	ZQ10A	ZQ15A	ZQ25A	ZQ35A	ZQ50A	Unit
Peak repetitive reverse voltage	V _{RRM}	50-600					V
Working peak reverse voltage	V _{DC}	50-600					V
DC blocking voltage	V _{R(RMS)}	0.7xV _{RRM}					V
RMS reverse voltage	V _{R(RMS)}	0.7xV _{RRM}					V
Average rectified output current @TA=150°C	I _{F(AV)}	10	15	25	35	50	A
Non-repetitive peak forward surge current	I _{FSM}	200	300	400	400	500	A
8.3ms single half sine-wave superimposed on rated load (JEDEC method)	I _{FSM}	200	300	400	400	500	A
Forward voltage @IF=80A	V _{FM}	1.0	1.0	1.05	1.08	1.1	V
Peak reverse current @TA=25°C	I _{RM}	5.0	5.0	5.0	5.0	5.0	μA
At rated DC blocking voltage @TA=100°C	I _{RM}	250	250	250	250	250	μA
Typical junction capacitance (Note 1)	C _j	300					pF
Typical thermal resistance junction to case (Note 2)	R _{θJC}	1.0					K/W
Operating and storage temperature range	T _J ,T _{STG}	-65 to +175					°C

If need V_{RRM} > 600V or un-standard type,pls contact ZENLI.

also could make Avalanche diode,Schottky diode.

Other off-standard size

